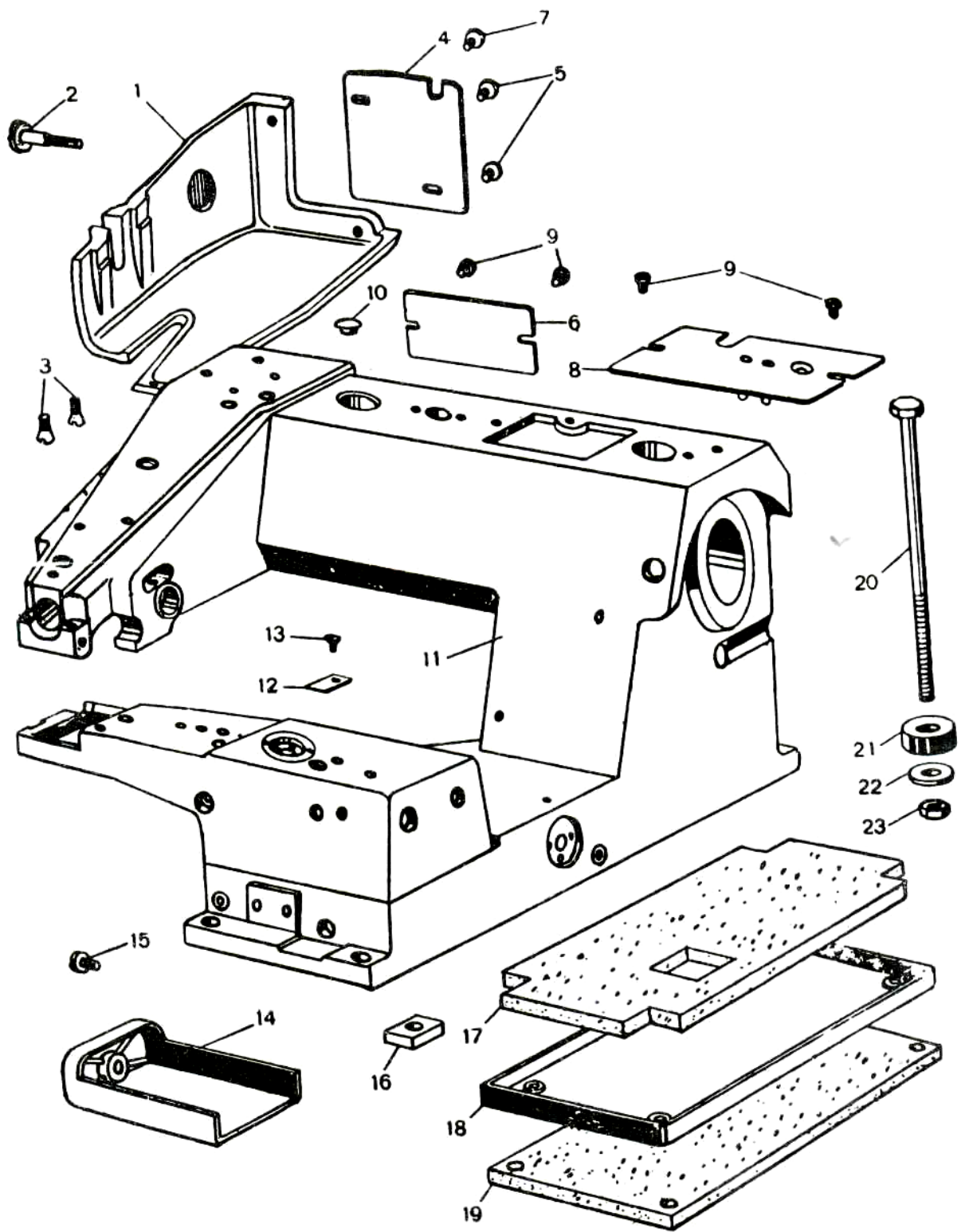


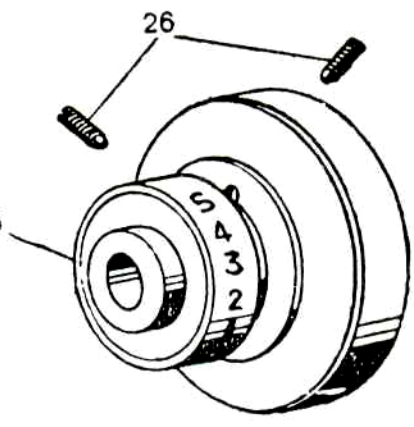
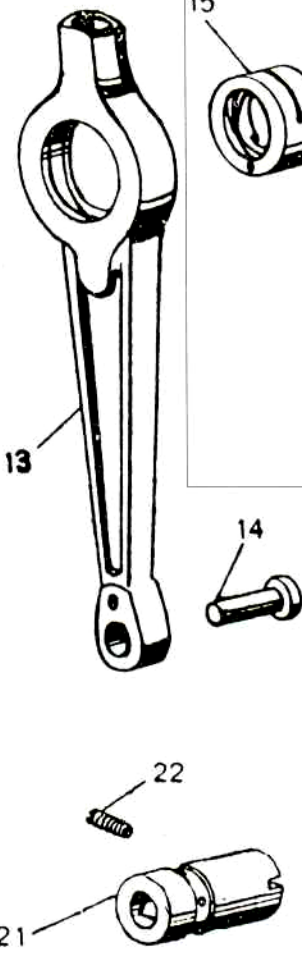
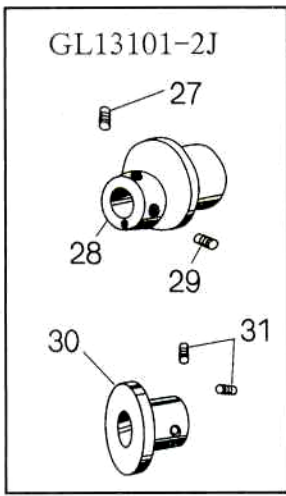
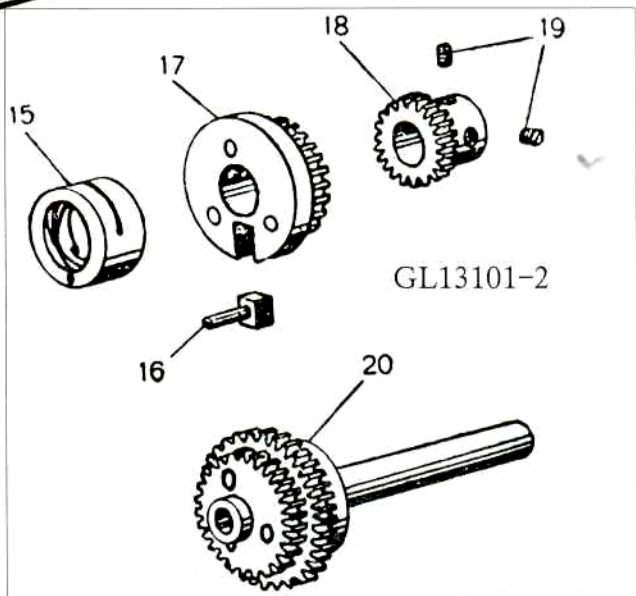
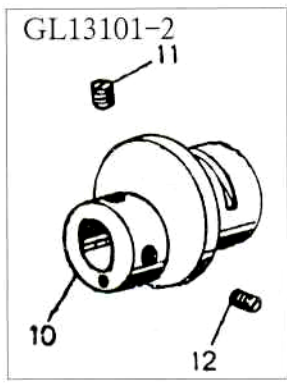
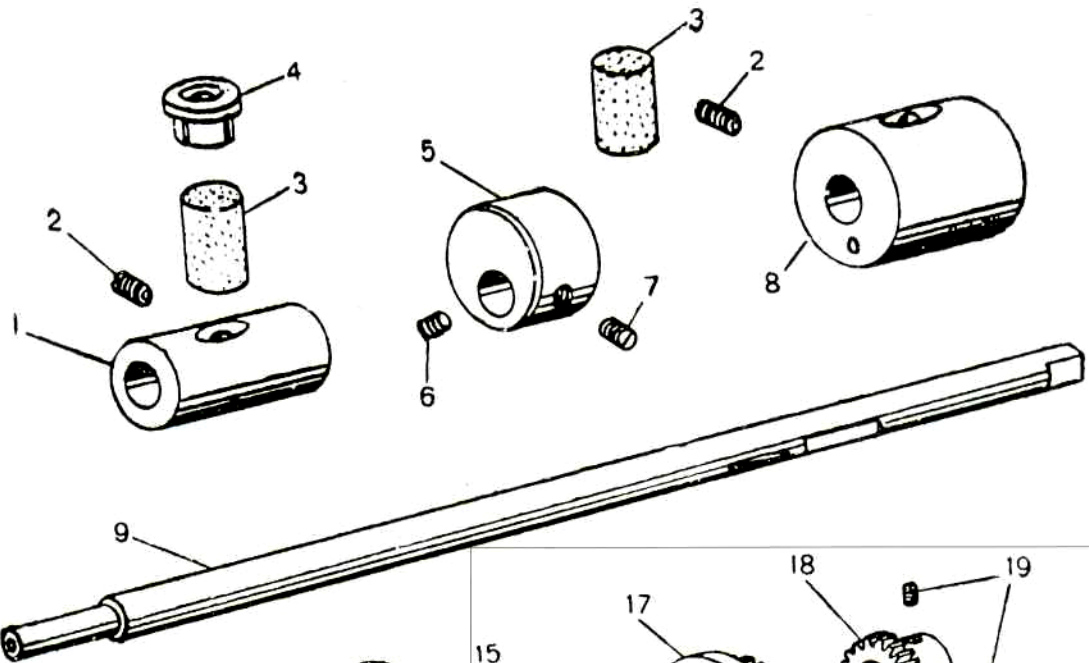
1. Machine casing and lubrication components

Ref. No.	Part. No.	Description	Amt.
1	GK1-2	Upper arm cover	1
2	GS1-2	Upper arm cover screw	1
3	GS7-2	Taper cone screw	2
4	GK3-2	Upper arm rear cover	1
5	S40	Cover plate screw	2
6	GK4-2	Rear cover plate of base frame	1
7	GS6-2	Upper arm rear cover screw	1
8	GK2-2	Cover plate	1
	GR3-2	Red copper tube	2
9	S40	Cover plate screw	4
10	GR10-2	Upper arm rubber plug	1
11	GQ1-2	Base frame	1
12	GK6-2	Oil-hone cover	1
13	GS6-2	Screw	1
14	GK5-2	Lower arm cover	1
15	GS2-2	Lower arm cover screw	1
16	GR14-2	Shockproof rubber pad	4
17	GR15-2	Shockproof pad of base pan	1
18	GR16-2	Machine casing base pan	1
19	GR17-2	Machine casing shockproof pad	1
20	GS103-2	Hexagon head bolt with small head	4
21	GR18-2	Rubber pad	4
22	GR201-2	Washer	4
23	GL101-2	Nut	4



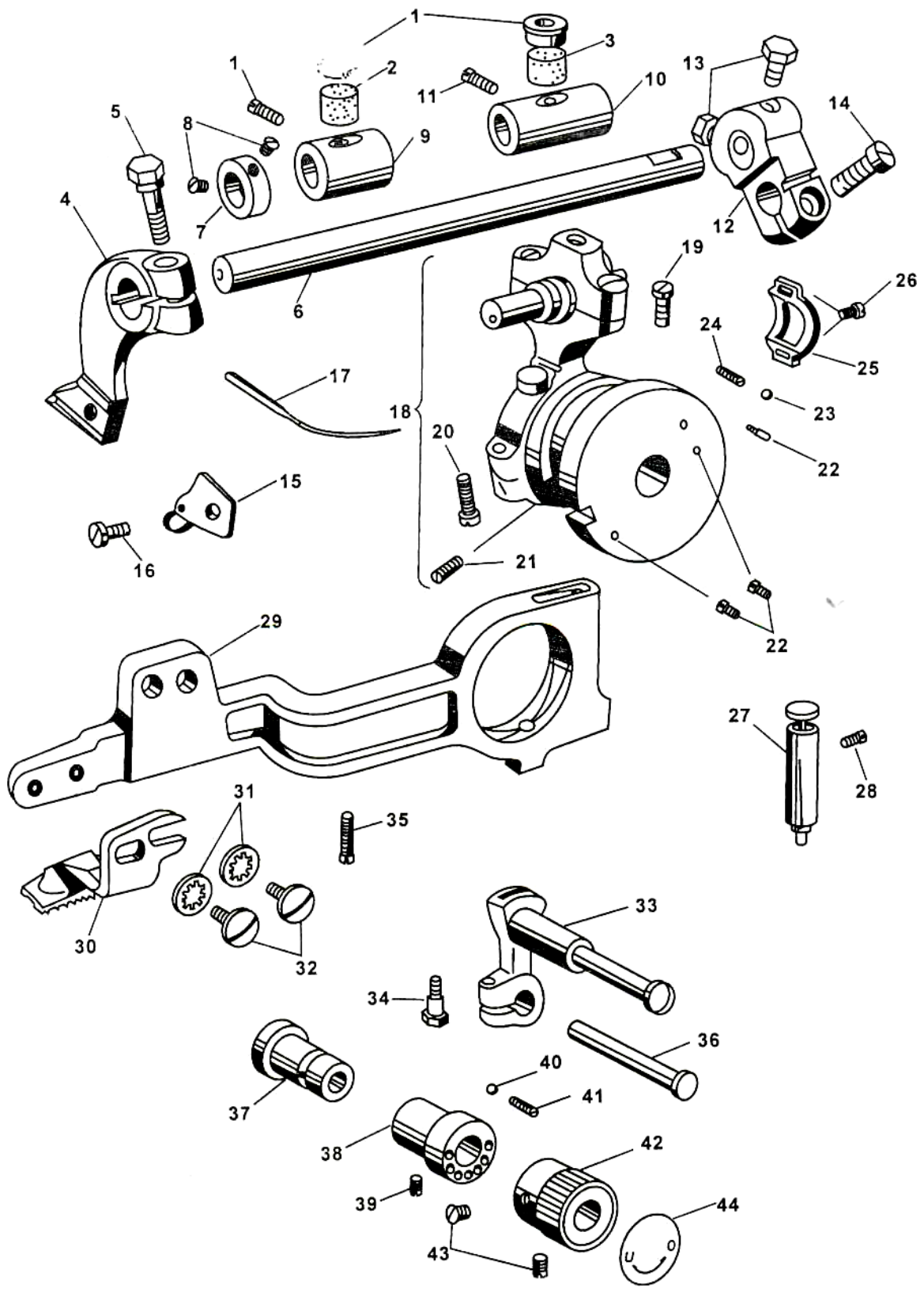
2. Main shaft components

Ref. No.	Part. No.	Description	Amt.
1	GO1-2	Main shaft bushing(left)	1
2	GS37	Set screw	2
3	GR4-2	Main shaft oil flet	2
4	GR1-2	Main shaft oil plug	1
5	GO3-2	Balance sleeve	1
6	GS8-2	Set screw with come point	1
7	GS9--2	Set screw	1
8	GO7-2	Main shate busing(right)	1
9	GZ2-2	Main shaft	1
10	GO4-2	Eccentric bushing	1
11	GS50	Set screw	1
12	GS50	Set screw	1
13	GH1-2	Connecting rod	1
14	GX3-2	Connecting rod pin	1
15	GO5-2	Eccentric sleece	1
16	GX2-2	Slide pin	1
17	GO6-2	Main shaft large gear sleeve	1
	GC1-2	Main shaft large gear	1
	GX102-2	Main shaft large gear river	3
18	GC2-2	Main shaft pinion gear	1
19	GS43	Set screw	2
20	GC4-2	Idler pinion gear	1
	GC3-2	Idler gear(large)	1
	GO10-2	Idler gear sleeve	1
	GZ3-2	Idler gear shaft	1
	GX103-2	Idler gear rivet	3
21	GO9-2	Idler gear eccentric bushing	1
22	GS37	Set screw	1
23	GO8-2	Retainer ring	1
24	GS43	Set screw	2
25	GP1-2	Hand wheel	1
26	GS37	Set screw	2
27	GS50	Set screw	1
28	GO4	Eccentric bushing	1
29	GS50	Set screw	1
30		Retainer ring	1
31	GS43	Set screw	2



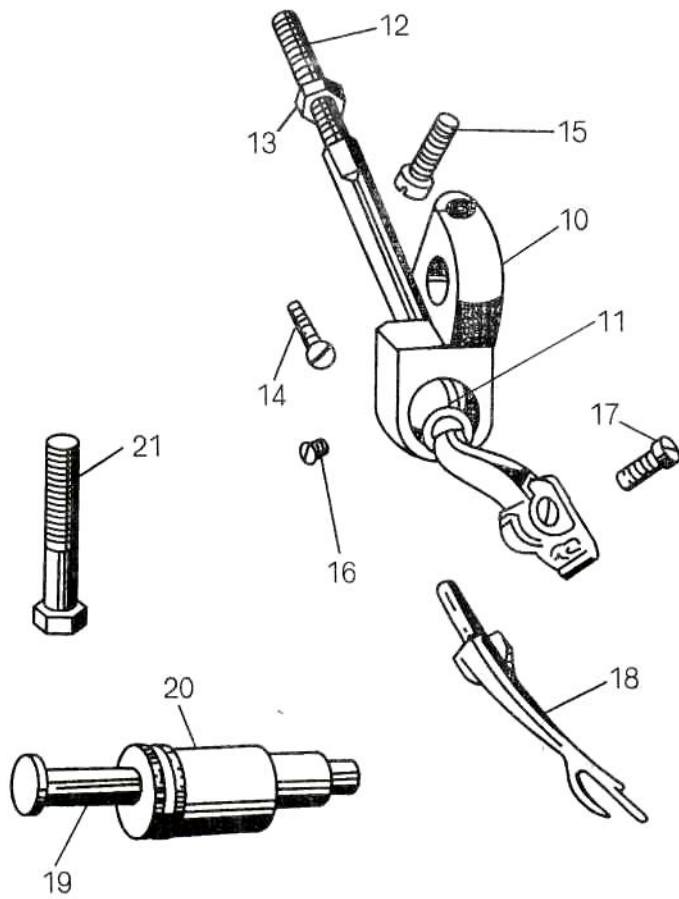
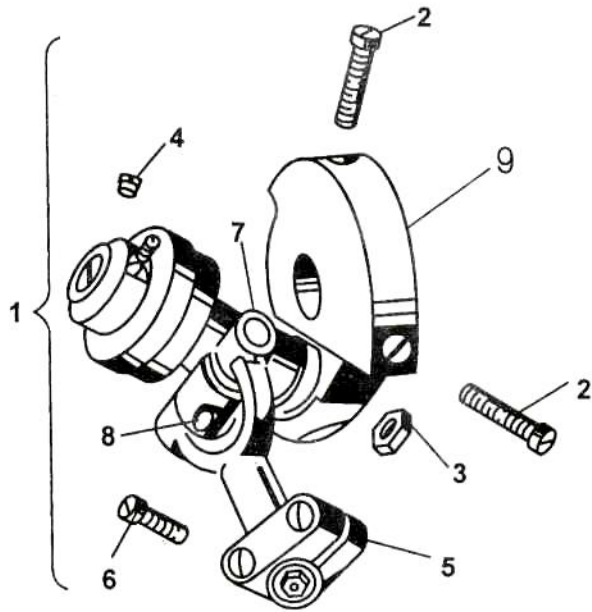
3. Feed dogs and needle shaft components

Ref. No.	Part. No.	Description	Amt.
1	GR164	Needle shaft oil cup	2
2	GR11-2	Needle shaft oil felt	1
3	GR11-2	Needle shaft oil felt	1
4	GR30-2	Needle carrier	1
5	GS15-2	Lock screw	1
6	GZ6-2	Needle shaft	1
7	GO19-2	Needle shaft retainer ring	1
8	GS43	Set screw	2
9	GO18-2	Needle shaft bushing(front)	1
10	GO17-2	Needle shaft bushing(rear)	1
11	GS8	Bushing set screw	2
12	GH4-2	Needle shaft crank	1
13	GS61	Set screw on the crank	1
14	GS55	Lock screw	1
15	GR31-2	Needle carrier plate	1
	GR32-2	Thread guide rin	1
16	GS16-2	Needle carrier screw	1
17	GV1-2	Needle	1
18	GR29-2	Eccentric ball shaft pin	1
	GR25-2	Upper cover of connecting rod	1
	GR26-2	Connecting rod	1
	GR27-2	Lower cover of connecting rod	1
	GO 15-2	Ball eccentric sleeve	1
	GO14-2	Feed eccentric sliding sleeve	1
	GO13-2	Stitch length regulating eccentric sleeve	1
19	GS14-2	Screw	2
20	GS55	Screw	2
21	GS13-2	Hexagon socket screw with cone point	1
22	GS12-2	Limit screw	2
23	GR21-2	Steel ball	1
24	GW3-2	Spring	1
25	GR28-2	Protecting cover	1
26	GS44	Screw	1
27	GO16-2	Regulating latch sleeve	1
	GW5-2	Latch spring	1
	GX4-2	Stitch length regulating latch	1
	GR24-2	Stitch length regulating press-botton	1
28	GS45	Latch sleeve set screw	1
29	GH2-2	Feed lever	1
30	GM1-2	Feed dog	1
31	GR202-2	Spring washer with internal teech	2
32	GS10-2	Screw feed swing link	2
33	GH3-2	Feed swing link	1
	GZ5-2	Swing link pin rod	1
34	GS37	Lock screw	1
35	GS11-2	Hexagon socked set screw with cup point	1
36	GZ4-2	Pin rod	1
37	GO12-2	Eccentric sleeve	1
38	GO11-2	Bushing	1
39	GS45	Set screw	2
40	GR21-2	Steel ball	1
41	GW2-2	Spring	1
42	GR20-2	Feed dog height adjusting knob	1
43	GS58	Set screw	2
44	GR19-2	Adjusting indicator plate	1



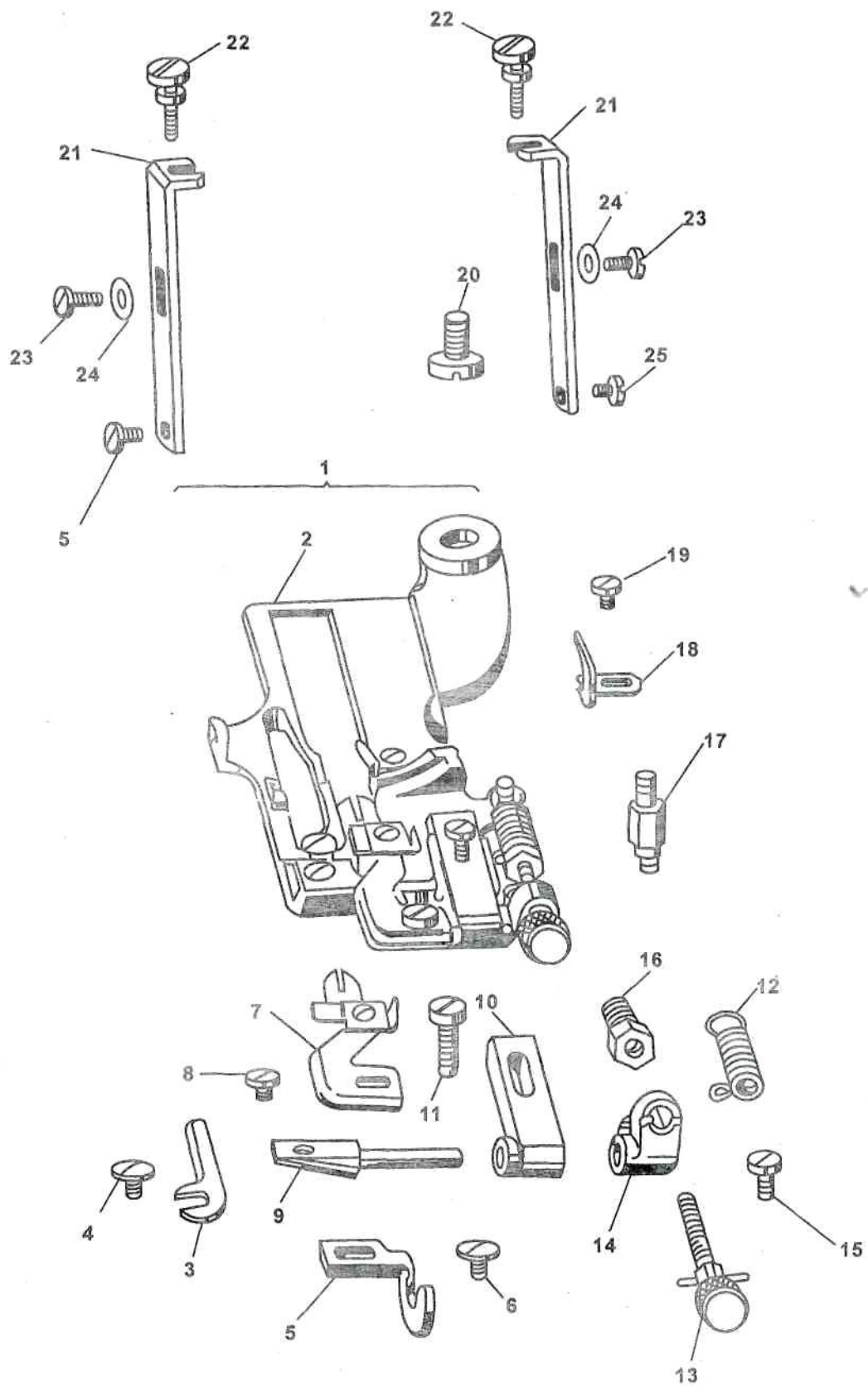
4. Thread hook components

Ref. No.	Part. No.	Description	Amt.
1	GO20-2	Positioning ring of driving shaft	1
	GZ7-2	Driving shaft of thread hook	1
	GR33-2	Oil felt	1
	GR34-2	Oil felt cover	1
	GR35-2	Universal joint(rear)	1
2	GS19	Crank cheese head screw	2
3	L3	Driving shaft nut	1
4	GS43	Cheese head screw	2
5	GR36-2	Universal joint(front)	1
6	GS20-2	Screw	2
7	GX5-2	Universal joint pin	1
8	GS18-2	Screw	1
9	GH5-2	Thread hook ccank	1
10	GR39-2	Swing arm	1
11	GR37-2	Ball element	1
12	GZ8-2	Thread hook lever	1
13	GL1-2	Thread hook lever nut	1
14	GS22-2	Swing arm screw	2
15	GS21-2	Swing arm clamp screw	1
16	GS25-2	Ball set screw	1
17	GS23-2	Thread hook clamp screw	1
18	GN1-2	Set screw	1
19	GZ9-2	Swing arm shaft	1
20	GO21-2	Eccentric supporting sleeve	1
21	GS17-2	Clamp bolt	1



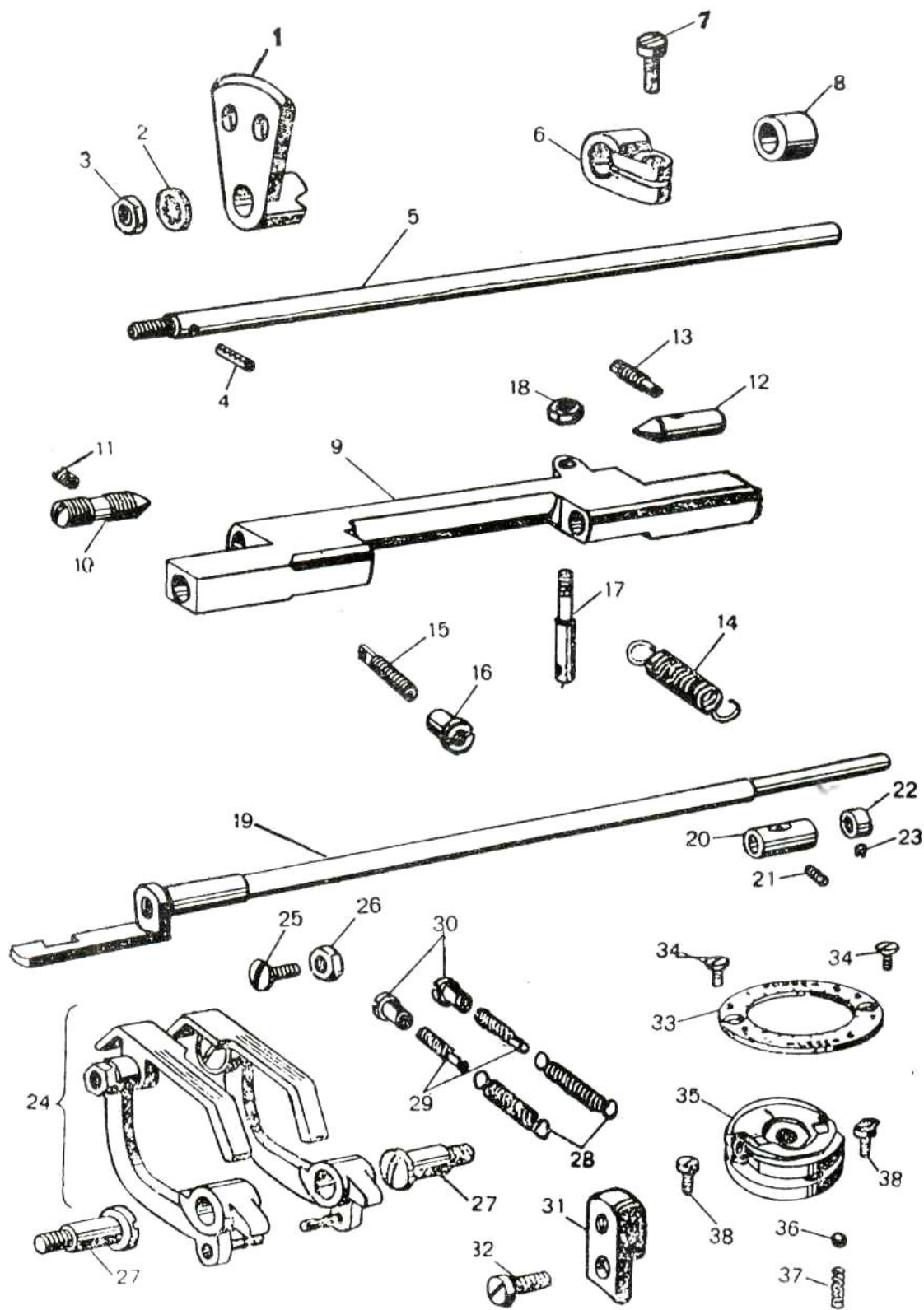
5. Needle plate components

Ref. No.	Part. No.	Description	Amt.
1		Needle plate component	1
2	GM2-2	Needle plate	1
3	GR46-2	Needle guard	1
4	S16	Needle guard screw	1
5	GR47-2	Material guid plate	1
6	GR34-2	Material guide plate screw	1
7	GR43-2	Material retainer	1
8	GS31-2	Material retainer screw	1
9	GZ10-2	Frame shaft	1
10	GR42-2	Bracket	1
11	S40	Chromium-plating screw	1
12	GW6-2	Material retaner extension spring	1
13	GS28-2	Adjusting screw	1
	GX6-2	Pin	1
14	GR48-2	Supporting frame	1
15	S40	Chromium-plating screw	1
16	GL2-2	Adjusting nut	1
17	GR45-2	Extension spring pillar	1
18	GR44-2	Retaining block	1
19	GS33-2	Retaining block screw	1
20	GS27-2	Needle plate clamping screw(large)	1
21	GR40-2	Needle pate support	2
22	GS26-2	Support regulating screw	2
23	GS29-2	Support clamping screw	2
24	GR203-2	Washer	2
25	GS30-2	Needle plate clamping screw	2



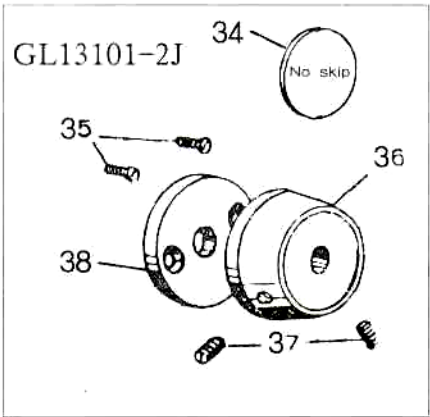
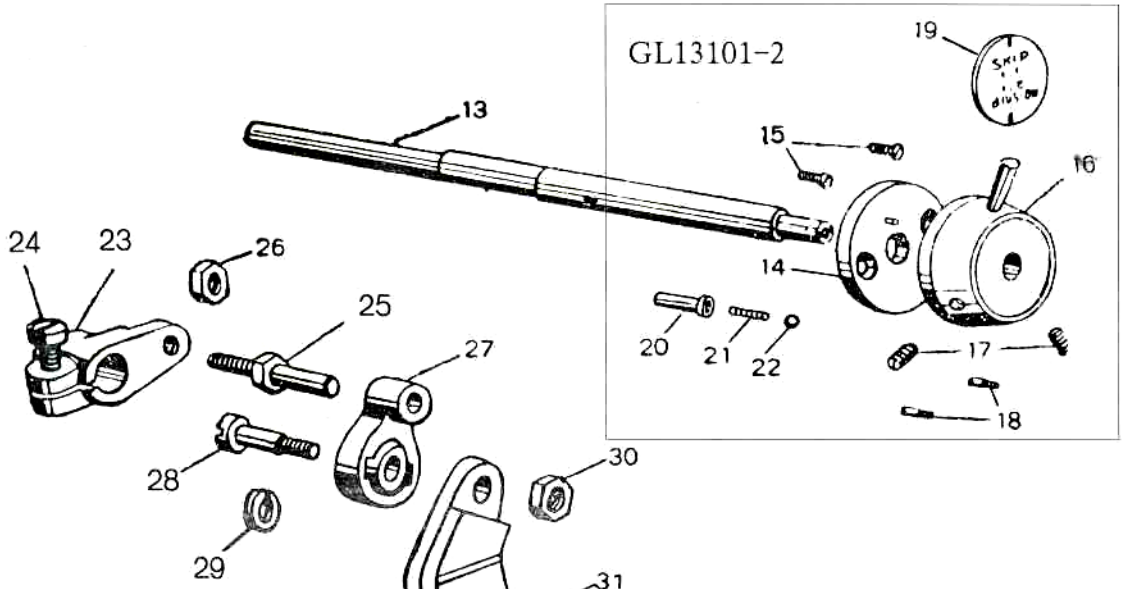
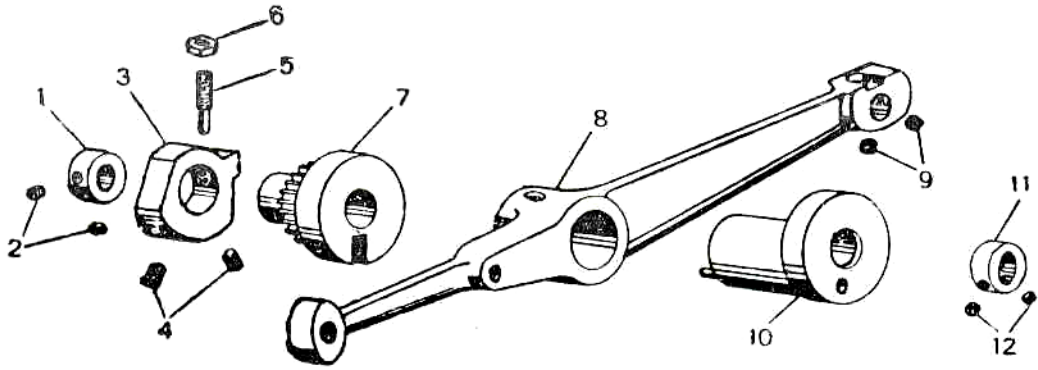
6. Ridge forming disc and lifting presser components

Ref. No.	Part. No.	Description	Amt.
1	GR49-2	Ridge forming	1
2	GR204-2	Spring washer with internal teeth	1
3	GL3-2	Hexagon nut	1
4	GX106-2	Spring-type straight pin	1
5	GZ11-2	Ridge forming disc shaft	1
6	GR53-2	Collar	1
7	GS037	Lock screw	1
8	GO22-2	Washer	1
9	GR52-2	Adjusting rod	1
10	GS35-2	Pointed screw	1
11	GS48	Set screw	1
12	GR54-2	Small point	1
13	S3	Set screw with dog point	1
14	GW7-2	Spring	1
15	GS36-2	Screw	1
16	GL5-2	Adjusting nut	1
17	GX7-2	Pin	1
18	GL4-2	Hexagon nut	1
19	GZ12-2	Lifting presser shaft	1
20	GO24-2	Bushing	1
21	GS48	Set screw	2
22	GO23-2	Retainer ring	2
23	GS43	Set screw	1
24	GM3-2	Presser plate(left)	1
	GM4-2	Presser plate(right)	1
	GR59-2	Lifting presser lever(let)	1
	GR60-2	Lifting presser lever(right)	1
	GX9-2	Pin	2
25	GS45-2	Taper screw	2
26	GL8-2	Hexagon nut	2
27	GS43-2	Screw with shoulder	2
28	GW9-2	Small spring	2
29	GS44-2	Screw	2
30	GL7-2	Adjusting nut	2
31	GR61-2	Support plate	2
32	GS030	Cheese head screw	1
33	GR55-2	Indicator ring	1
34	GS38-2	Countersunk head screw	1
35	GR58-2	Knob	2
36	GR21-2	Steel ball	1
37	GW8-2	Spring	1
38	GS66	Cheese head screw	2



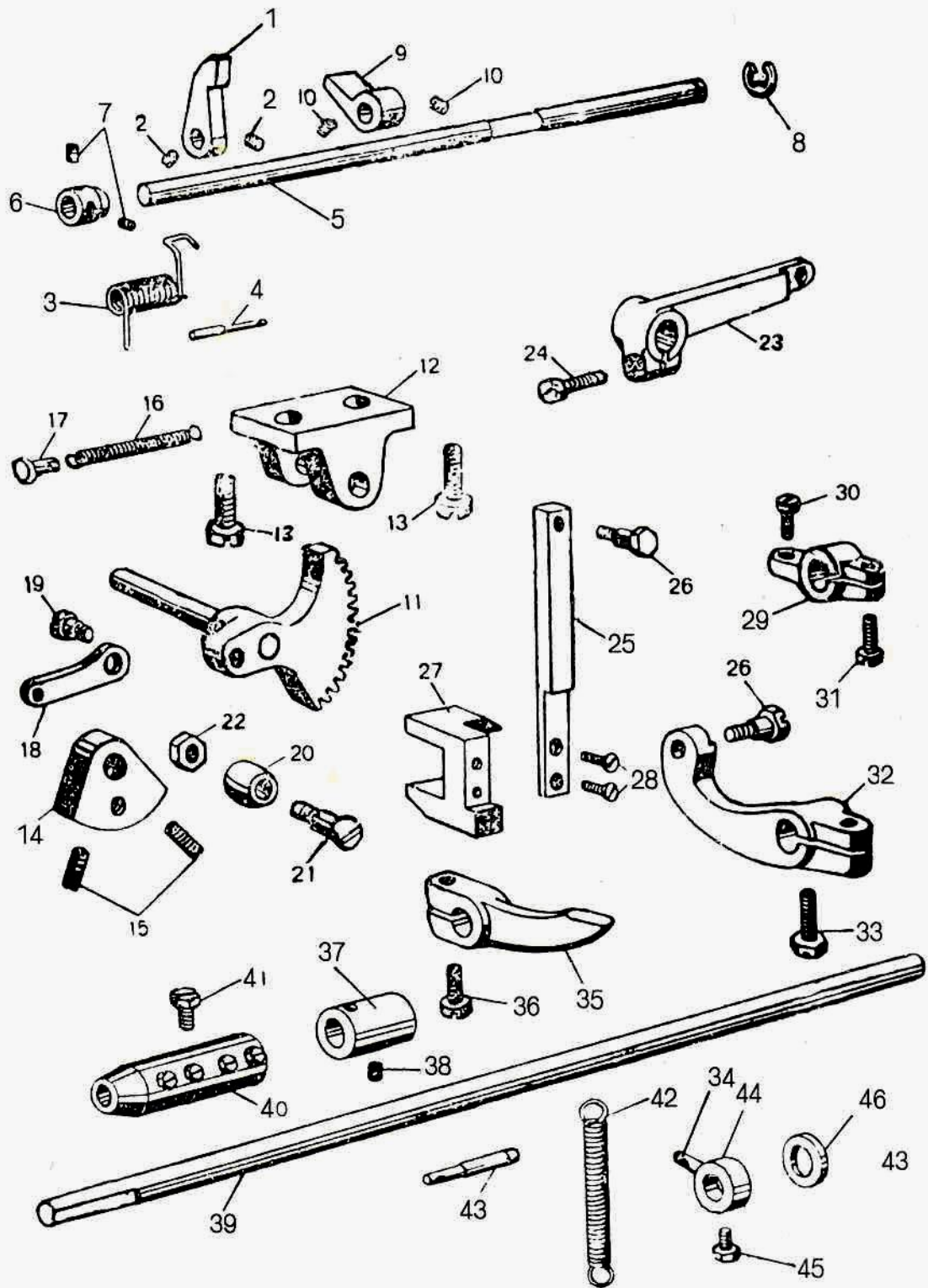
7. Disc oscillating and skip stitch components

Ref. No.	Part. No.	Description	Amt.
1	GO28-2	Retainer ring(left)	1
2	GS50	Set screw	2
3	GT1-2	Stopping cam	1
4	GS48	Set screw	2
5	GS47-2	Limit screw	1
6	L1	Hexagon nut	1
7	GO27-2	Bushing	1
	GS5-2	Gear	1
8	GX13-2	Swing link	1
9	GS48	Set screw	2
10	GO26-2	Eccentric sleeve	1
	GX107-2	Pin	1
11	GO25-2	Retainer ring(right)	1
12	GS50	Set screw	2
13	GZ14-2	Eccentric shaft	1
14	GR65-2	Supporting ring	1
	GX104-2	Positioning pin	1
15	GS47	Countersunk head screw	2
16	GR66-2	Handle	1
	GR67-2	Base of handle	1
17	GS48	Set screw	2
18	GS12-2	Limit screw	2
19	GR68-2	Indicator plate	1
20	GR64-2	Supporting sleeve	1
21	GW3-2	Small spring	1
22	GR21-2	Steel ball	1
23	GH7-2	Crank	1
24	GS037	Lock screw	1
25	GX10-2	Connecting lever pin	1
26	GL8-2	Hexagon nut	1
27	GR63-2	Ball joint	1
	GH6-2	Ball connecting lever	1
28	GS46-2	Shoulder screw	1
29	GR206-2	Spring washer	1
30	GL8-2	Hexagon nut	1
31	GR62-2	Prizing plate	1
32	GS58-2	Screw of swing link	2
33	GR205-2	Spring washer with internal teach	2
34	GR68A-2	Indicator plate	1
35	GS47	Countersunk head screw	2
36	GR67A-2	Retainer ring	1
37	GS48	Set screw	2
38	GR65-2	Supporting ring	1



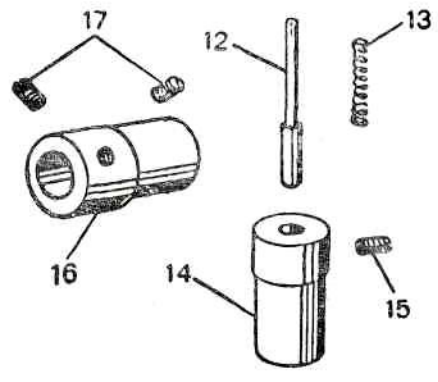
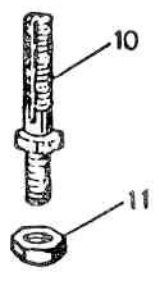
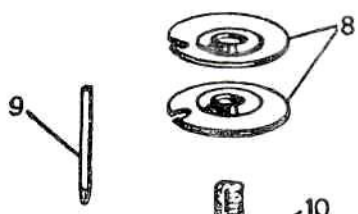
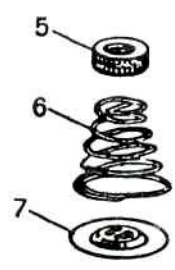
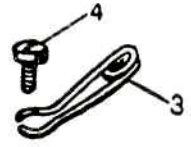
8. Disc locking mechanism and Knee lifting presser shaft parts

Ref. No.	Part. No.	Description	Amt.
1	GR72-2	Stop dog	1
2	GS43	Cheese head screw	2
3	GW11-2	Tensional spring	1
4	GX12-2	Tensional spring pin	1
5	GZ17-2	Thin shaft	1
6	GO29-2	Limit	1
7	GS45	Cheese head screw	2
8	GR207-2	Circlip for shaft	1
9	GR76-2	Stop dog	1
10	GS43	Cheese head screw	2
11	GZ15-2	Gear shaft	1
	GC6-2	Sector gear	1
12	GR70-2	Bearing bracket	1
13	GS50-2	Screw	2
14	GT2-2	Cam	1
15	GS55-2	Set screw with cup point	2
16	GW12-2	Extension spring of cam	1
17	GX13-2	Extension spring pin of can	1
18	GH9-2	Thin connecting rod	1
19	GS27	Short hinge screw	1
20	GR77-2	Roller	1
21	GS53-2	Roller screw	1
22	GL9-2	Nut	1
23	GH8-2	Connecting rod	1
24	GS05	Screw	1
25	GZ16-2	Lever	1
26	GS52-2	Hinge screw	1
27	GR69-2	Balance weight	1
28	GS54-2	Countersunk head screw	2
29	GR75-2	Limit dog	1
30	GS037	Screw	1
31	GS55	Screw	1
32	GH10-2	Bending connecting lever	1
33	GS56-2	Hexagon screw	1
34	GS51-2	Extension spring screw	1
35	GR74-2	Bending stop dog	1
36	GS05	Screw	1
37	GO31-2	Bearing sleeve	1
38	GS45	Cheese head screw	1
39	GZ18-2	Long shaft	1
40	GR71-2	Sleeve	1
41	GS49-2	Screw	4
42	GW10-2	Spring	1
43	GX11-2	Pin	1
44	GR73-2	Sleeve	1
45	GS48-2	Sleeve clamp screw	1
46	GO30-2	Washer	1



9. Thread tension and nipper parts components

Ref. No.	Part. No.	Description	Amt.
1	GR12-2	Thread guide	1
2	GS4-2	Screw	1
3	GR13-2	Thread guide	2
4	GS4-2	Screw	2
5	L5	Thread tension nut	1
6	GW15-2	Thread tension spring	2
7	R57	Thread tension releasing disc	1
8	GR013	Thread tension disc	1
9	GX1-2	Positioning pin	1
10	GS3-2	Thread tension screw stud	1
11	L1	Nut	1
12	GZ1-2	Pushing bar	2
13	GW1-2	Thread tension releasing spring	1
14	GR2-2	Thread tension sleeve	1
15	GS48	Set screw	1
16	GO2-2	Eccentric sleeve	1
17	S18	Set screw	2



10. Work plate components

Ref. No.	Part. No.	Description	Amt.
1	GR80-2	Work plate	1
2	GX15-2	Positioning pin	1
3	GS49-2	Screw	1
4	GZ20-2	Work plate shaft	1
5	GS104-2	Shoulder screw	1
6	GO32-2	Retainer ring	1
7	S18	Retainer ring screw	2
8	GS58-2	Screw	2
9	GR78-2	Bracket	2
10	GS105-2	Bracket screw	1
11	GX14-2	Pin	1
12	GW14-2	Spring leaf(long)	1
13	GW13-2	Spring leaf(short)	1
14	GS49-2	Screw	1
15	GZ19-2	Knee lifter control lever	1
16	GR83-2	Knee lifter press plate	1
17	GS49-2	Screw	1
18	GR84-2	Knee lifter press pad	1

