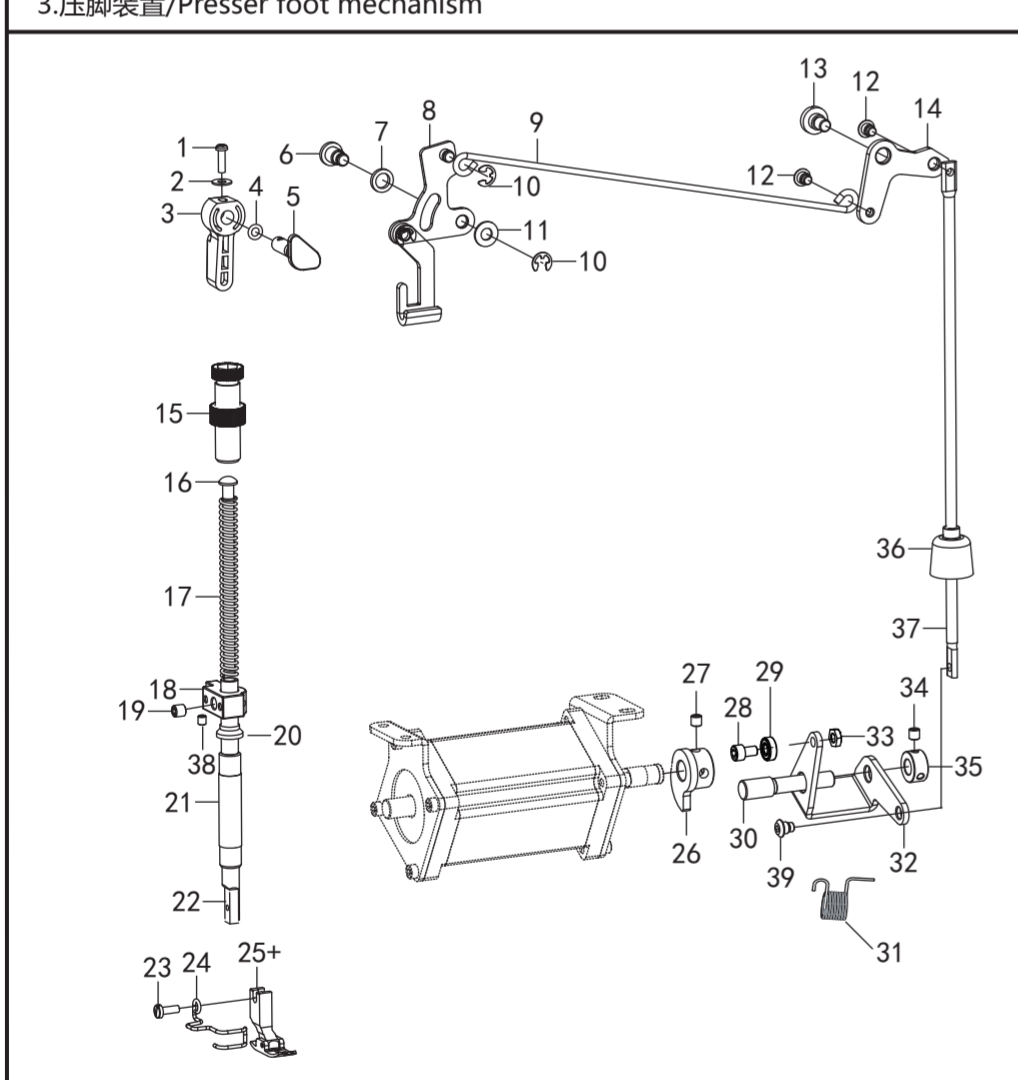


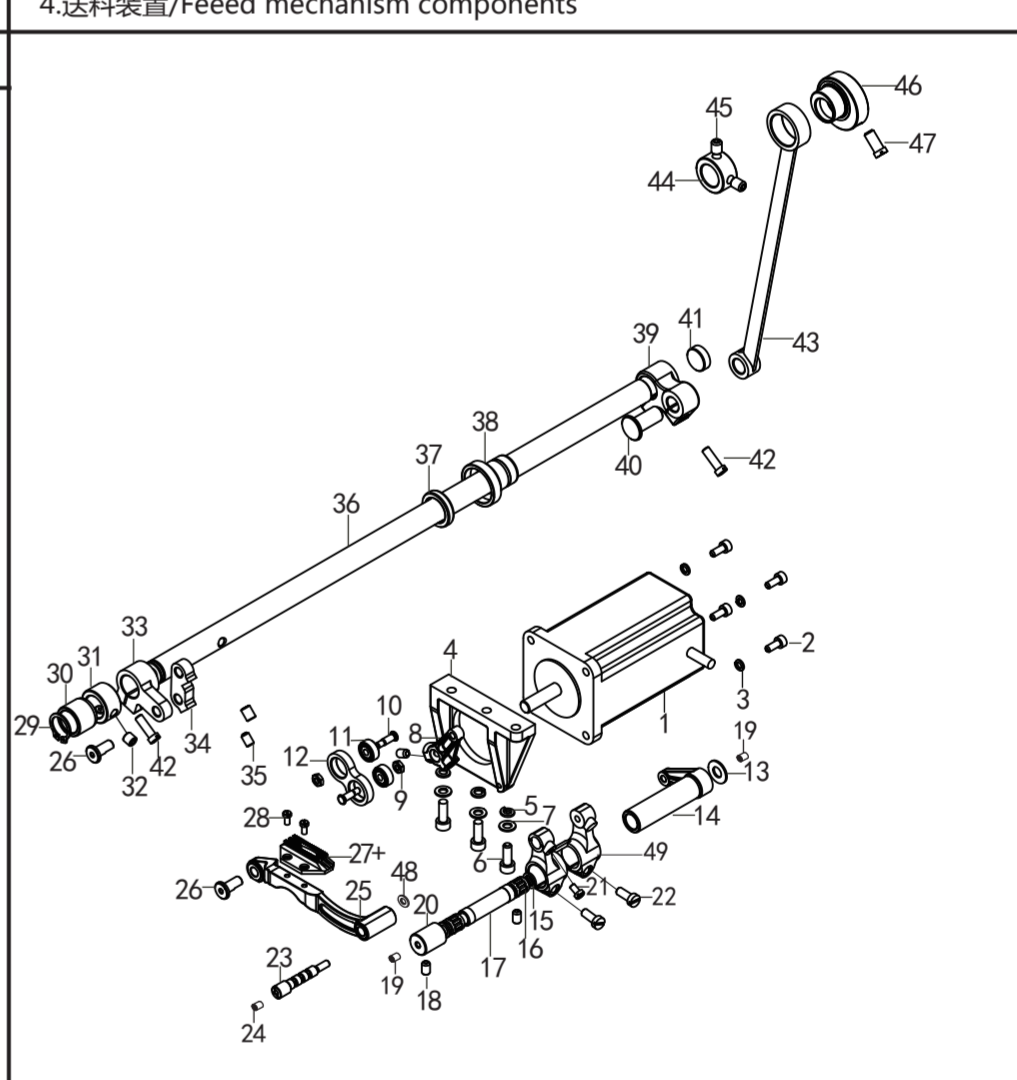
序号	图号	数量	零件名称	NAME OF PARTS
1	062710812	3	螺钉 SM4.76-28x9	SCREW PAN SM4. 76-28x9
2	168012201	1	面板	FACE PLATE
3	168012301	1	面板垫	GASKET
4	115011401	2	橡皮塞 8.5	RUBBER 8. 5
5	101011001	2	橡皮塞 12.2	RUBBER 12. 2
6	115010401	1	后窗板	SIDE PLATE
7	062501216	9	螺钉 M5×12	SCREW PAN M5×12
8	115010501	1	后窗板衬垫	GASKET
9	168010901	1	橡皮塞 37.8	RUBBER 37. 8
10	119012101	1	马达罩	MOTOR COVER
11	018502532	4	螺钉 M5×25	SCREW PAN M5×25
12	115010701	2	橡皮塞 15.5	RUBBER 15. 5
13	101013201	2	螺钉 4.37-40X5.5	SCREW PAN 4. 37-40X5. 5
14	101012601	1	卷边器座	EDGE WINDING DEVICE
15	168011701	4	底板支柱	BED SREW STUD
16	101011401	1	橡皮塞 21	RUBBER 21
17	168012001	1	顶盖	UPPER COVER
18	168012501	5	螺钉 M3×8	SCREW PAN M3×8
19	101013301	1	孔塞 8.8	STOPPLE 8. 8
20	025050132	4	垫圈 5	WASHER 5

序号	图号	数量	零件名称	NAME OF PARTS
1	101031601	1	螺钉 SM7.14	SCREW PAN SM7. 14
2	101034301	1	油量销套	OIL QUANTITY PIN SLEEVE
3	125031501	1	针杆曲柄	COUNTER WEIGHT
4	101031801	1	螺钉 SM7.14	SCREW PAN SM7. 14
5	168020501	1	上轴前轴套	MAIN SHAFT BUSHING FRONT
6	101031701	4	螺钉 SM6.35-40x6	SCREW SM6. 35-40X6
7	014500832	2	螺钉 M5×8	SCREW PAN M5×8
8	101032101	1	绕线驱动轮	BOBBIN WINDER DRIVING WHEEL
9	168020901	1	上轴中轴套	BUSHING INTERMSDIATE
10	119021001	1	上轴	MAIN SHAFT
11	168021101	1	上轴后轴套	MAIN SHAFT BUSHING REAR
12	115024001	1	油封	OIL SEAL
13	168021302	1	主轴电机组件	SERVO MOTOR ASSY
14	028050246	3	弹性垫圈 T5	SPRING WASHERT5
15	025050132	3	垫圈 M5	WASHER M5
16	018501432	3	螺钉 M5×14	SCREW PAN M5×14
17	168023301	1	编码器	FILM ROTATING AND ENCODER
18	018300632	4	螺钉 M3×6	SCREW PAN M3×6
19	115025303	1	手轮	HANG WHEEL ASM
20	012501032	2	螺钉 M5×10	SCREW PAN M5×10
21	115025401	1	螺钉 SM8.73	SCREW PAN SM8. 73
22	012061032	1	螺钉 M6×10	SCREW PAN M6×10
23	101031401	1	挑线杆组件 M	THREAD TAKE-UP LEVER ASM M
24	115021402	1	垫圈 8	WASHER 8
25	101043701	1	滑块组件 M	SLIDE BLOCK SLOT ASSY M
26	115024601	2	螺钉 SM3.57	SCREW PAN SM3. 57×40-6
27	115010801	1	橡皮塞 8.5	RUBBER CAP 8. 5
28	115025601	1	油毡	FELT
29	101040301	1	针杆上套	NEEDLE BAR BUSH U
30	101040403	1	针杆 M	NEEDLE BAR M
31	101040901	1	针杆下套 M	NEEDLE BAR BUSH D M

序号	图号	数量	零件名称	NAME OF PARTS
32	101041101	1	针杆过线环	NEEDLE BAR THREAD GUIDE
33	115024101	1	机针 DB×1 14	NEEDLE DB×1 #14
34	101041001	1	支针螺钉 SM3.18	SCREW PAN SM3. 18
35	101011801	1	推板组件	SLIDE PLATE COMPONENTS
36	115023401	1	针板 M	THREAD PLATE M
37	115023501	2	螺钉 SM4.37	SCREW PAN SM4. 37
38	101032501	1	上轴挡圈	THRUST COLLAR
39	014770632	2	螺钉 SM6.35×40-6	SCREW SM6. 35×40-6
40	101030601	1	挑线杆防油套	OIL PROOF SLEEVE
41	101032502	1	上轴挡圈	THRUST COLLAR
42	081004870	1	O型圈 6.5x1.5	O-RING 6. 5X1. 5
43	101034201	1	油量偏心销	OIL QUANTITY ECCENTRIC PIN



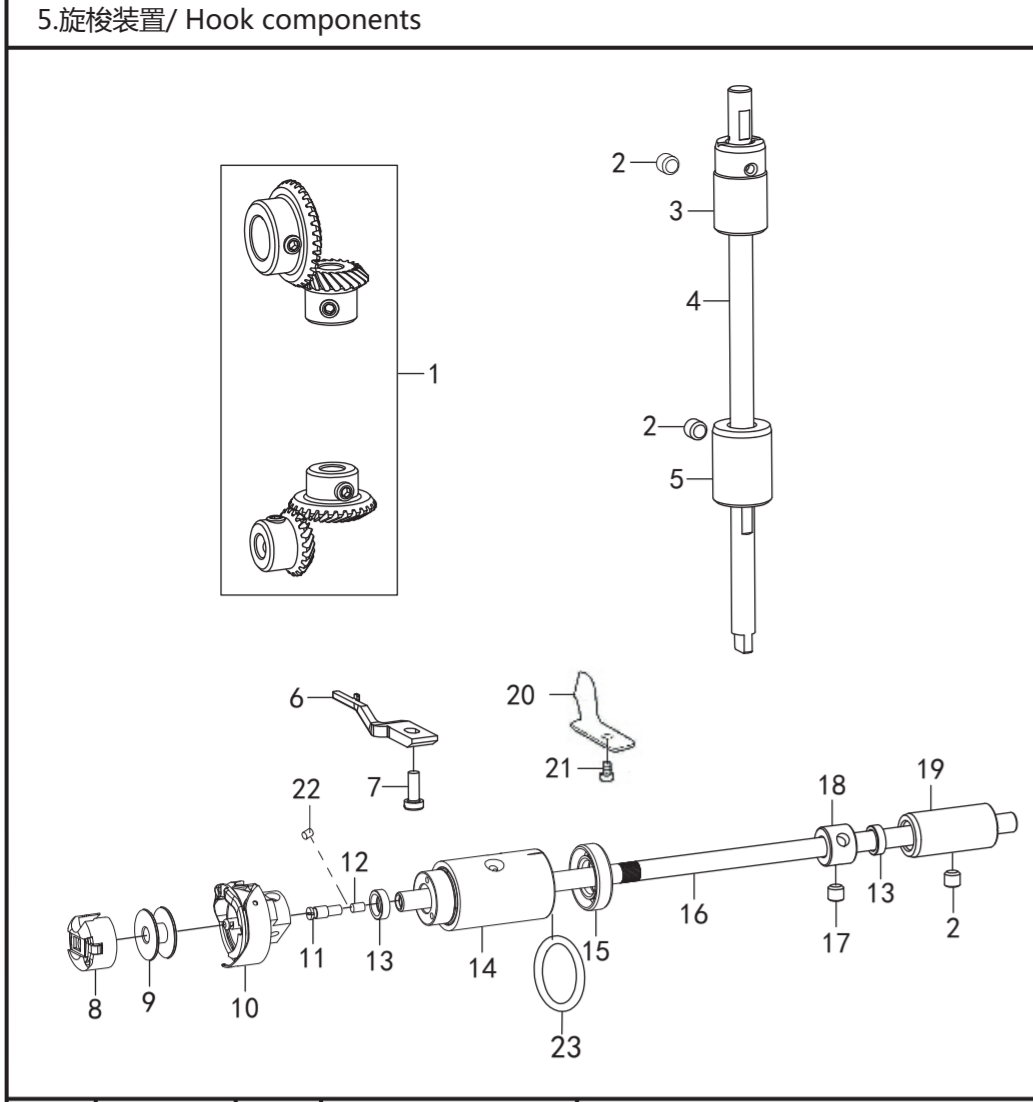
序号	图号	数量	零件名称	NAME OF PARTS
31	168033801-1	1	压脚复位簧	PRESSER FOOT RESET SPRING
32	168033201	1	抬压脚驱动曲柄	PRESSER FOOT DRIVING CRANK
33	021600306	1	螺母 M6×0.75	NUT M6×0. 75
34	014680632	2	螺钉 SM4.37-40x6	SCREW SM4. 37-40X6
35	168033501	1	曲柄轴挡圈	SET SCREW COLLAR
36	168033601	1	膝控提升杆橡皮塞	RUBBER CAP
37	168033701	1	抬压脚顶杆	CONNECTING ROD VERTICAL
38	115034201	1	抬压脚减震垫	CUSHION
39	168031301	1	轴位螺钉 SM4.76x32	SCREW SM4. 76x32



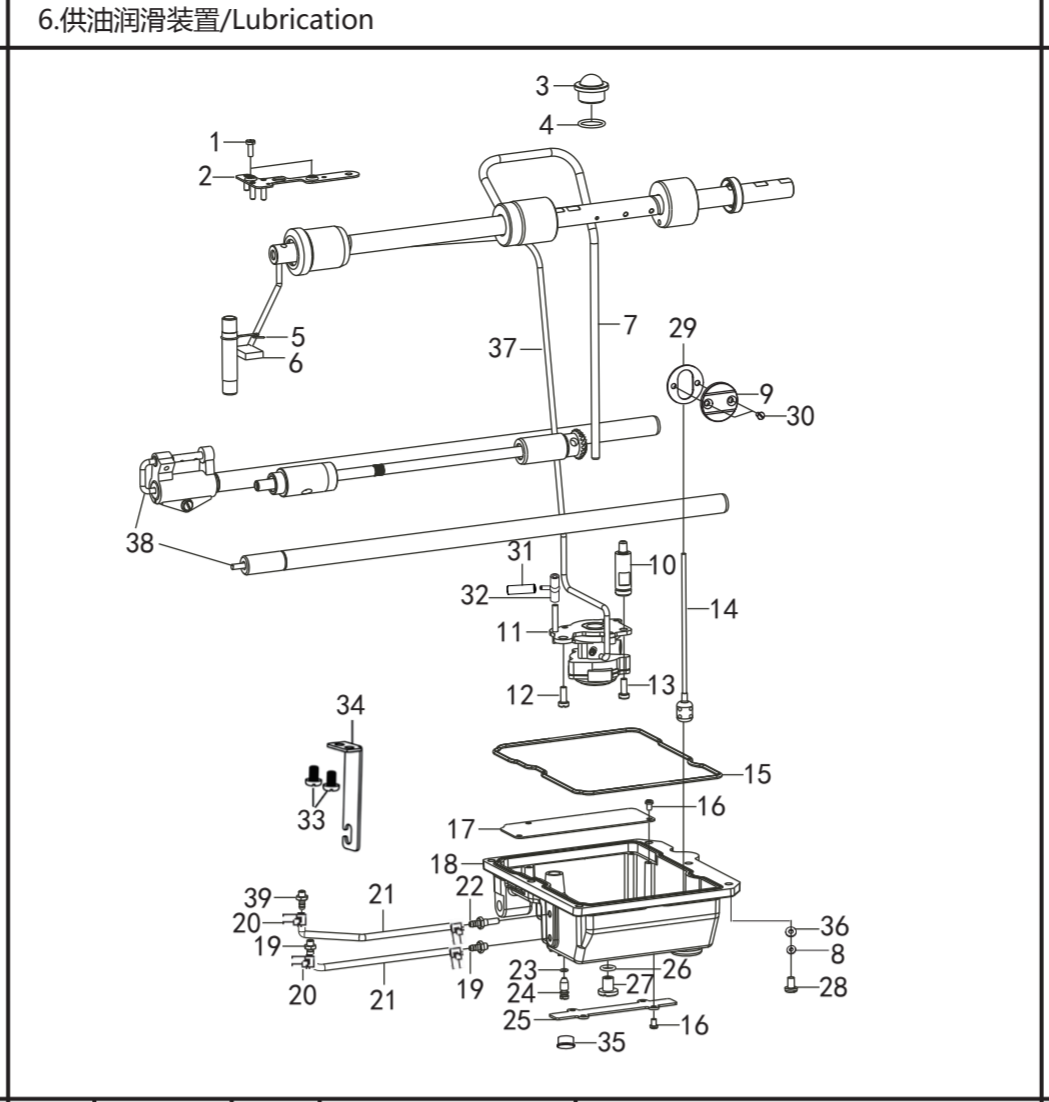
序号	图号	数量	零件名称	NAME OF PARTS
1	101054501	1	螺钉 SM3.57	SCREW SM3. 57
2	101054601	1	垫圈 3.7	WASHER 3. 7
3	168030301	1	抬压脚扳手	HAND LIFTER
4	081004070	1	O型圈 P4	RING P4
5	102050601	1	抬压脚凸轮	PRESS FOOT LIFTER CAM ASM
6	101052001	2	前杠杆螺钉销	LINK SHAFT
7	101052101	2	防油橡胶垫 (薄)	WASHER
8	168031001-1	1	抬压脚前杠杆	HANK LIFTER LINK
9	168030901	1	抬压脚拉杆	LIFTING LEVER LINK
10	048050342	3	卡簧 E5	SNAP RING E5
11	101056301	2	垫圈 6.35	WASHER 6. 35
12	115034301	2	轴位螺钉 SM4.76	SCREW SM4. 76
13	115034501	1	轴位螺钉 SM6.35	SCREW SM6. 35
14	115034601	1	膝控提升手杆	LIFT KNEE CONTROL LEVER
15	168031501	1	调压螺钉组件	PRESSURE REGULATING BOL
16	101053001	1	调压导杆	PRESSER GUIDE BAR
17	125050401	1	调压簧	PRESSER SPRING
18	168031801	1	压杆导架	NEEDLE BAR GUIDE BAACKET
19	115024801	1	螺钉 SM6.35	SCREW SM6. 35
20	101050901	1	压杆套防油圈	SHOCK PAD
21	101051001	1	压杆衬套	PRESSER BAR BUSHING LOWER
22	101050501	1	压杆	PRESSER BAR
23	115031001	1	螺钉 SM3.57	SCREW SM3. 57
24	101051301	1	护指器	PROTECT SHELF
25+	101051201	1	压脚 M	MPRESSER FOOT ASM M
25+	101051202	1	压脚 H	MPRESSER FOOT ASM H
26	168032701	1	抬压脚凸轮	HAND LIFTER CAM
27	014600832	2	螺钉 M6×8	SCREW PAN M6×8
28	018601232	1	螺钉 M6×12	SCREW PAN M6×12
29	169034001	1	轴承	BEARING
30	168033101	1	抬压脚曲柄轴	PRESSER FOOT CRANK SHAFT

序号	图号	数量	零件名称	NAME OF PARTS
30	119042001	1	抬牙轴前套	FRONT SLEEVE OF LIFTING SHAFT
31	101062901	1	送布轴挡圈	FEED SHAFT RETAINING RING
32	014770632	2	螺钉 SM6.35	SCREW SM6. 35
33	119041901	1	抬牙前曲柄	LIFT THE FRONT CRANK
34	119041801	1	抬牙小连杆	LIFTING SMALL CONNECTING ROD
35	014500632	2	螺钉 M5x6	SCREW M5X6
36	119047101	1	抬牙轴	LIFT THE TOOTH SHAFT
37	125064301	1	油封 15x23x5	OIL SEAL 15X23X5
38	168043001	1	抬牙轴中套	LIFTING SHAFT MIDDLE SLEEVE
39	103043001	1	抬牙后曲柄	REAR CRANK
40	103042901	1	抬牙曲柄铰链轴	TOOTH LIFTING CRANK HINGE SHAFT
41	125013001	1	橡皮塞 15.3	RUBBER STOPPER 15. 3
42	101063501	3	螺钉 SM4.76-28X15	SCREW SM4. 76-28X15
43	103046901	1	抬牙连杆	TOOTH LIFTING LINK
44	101032501	1	上轴挡圈	UPPER SHAFT RETAINING RING
45	014770632	2	螺钉 SM6.35-40X6	SCREW SM6. 35-40X6
46	119042101	1	抬牙凸轮	LIFT CAM
47	103046701	2	螺钉 SM6.35-40X11	SCREW SM6. 35-40X11
48	115046701	1	垫圈 4.2	WASHER 4. 2
49	120011901	1	牙架座	TOOTH HOLDER

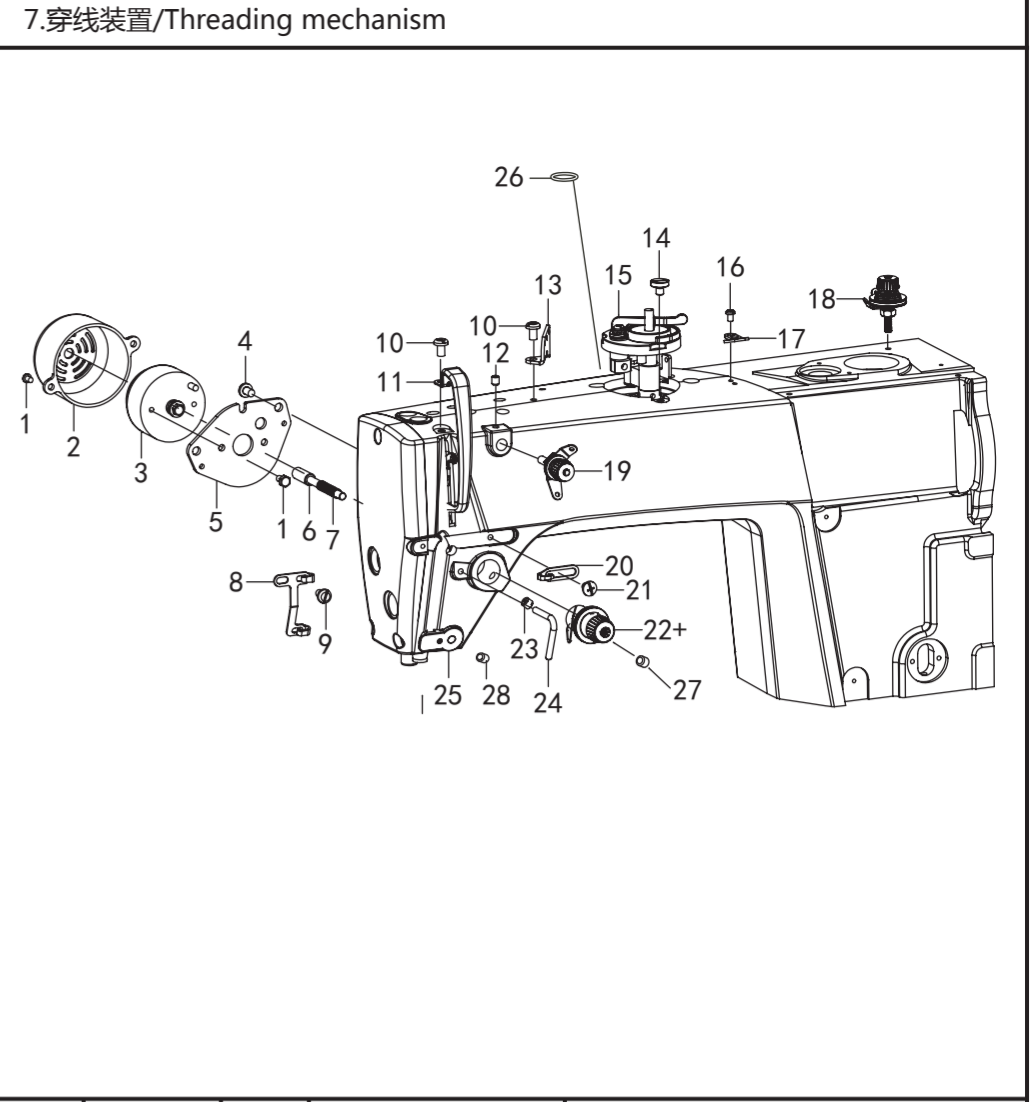
序号	图号	数量	零件名称	NAME OF PARTS
1	120012101	1	送料步进电机组件	FEEDING STEPPER MOTOR ASSEMBLY
2	018401436	4	螺钉 M4×14	SCREW M4×14
3	028040246	4	弹簧垫圈 T4	SPRING WASHER T4
4	120010601	1	电机安装座	MOTOR MOUNT
5	028050246	3	弹簧垫圈 T5	SPRING WASHER T5
6	018501636	3	螺钉 M5x16	SCREW M5X16
7	025050132	3	平垫圈 5	FLAT WASHER 5
8	120010101	1	送料驱动曲柄	FEED DRIVE CRANK
9	021350106	2	螺母 M3.5	NUT M3. 5
10	115026801	2	挑线连杆销	THREAD TAKE-UP LINK PIN
11	120012301	2	轴承 624Z	BEARING 624Z
12	120010201	1	送布连杆	FEEDING LINK
13	115021402	1	垫圈 8	WASHER 8
14	120010401	1	送料曲柄	FEED CRANK
15	120012401	2	轴垫片	SHAFT GASKET
16	120012201	2	滚针轴承 K7x10x10	NEEDLE ROLLER BEARINGS K7X10X10
17	120011001	1	送料曲柄衬套	FEEDING CRANK BUSH
18	014760832	2	螺钉 SM5.95-28x8	SCREW SM5. 95-28X8
19	012400532	2	螺钉 M4x5	SCREW M4X5
20	120010301	1	送料轴	FEED SHAFT
21	101062601	1	螺钉 SM4.37-40x8.5	SCREW SM4. 37-40X8. 5
22	115046301	2	螺钉 SM4.37-40x14	SCREW SM4. 37-40X14
23	180046601	1	牙架销	TOOTH FRAME PIN
24	188250103	2	螺钉 M3x4	SCREW M3X4
25	180049401	1	送布台	CLOTH FEEDER
26	119041701	2	抬牙连杆销	LIFTING CONNECTING ROD PIN
27+	115046901	1	送料牙 M	FEEDING TEETH M
27+	115046902	1	送料牙 H	FEEDING TEETH H
28	180042801	2	螺钉 M3x6	SCREW M3X6
29	048140142	1	挡圈 C14	RETAINING RING C14



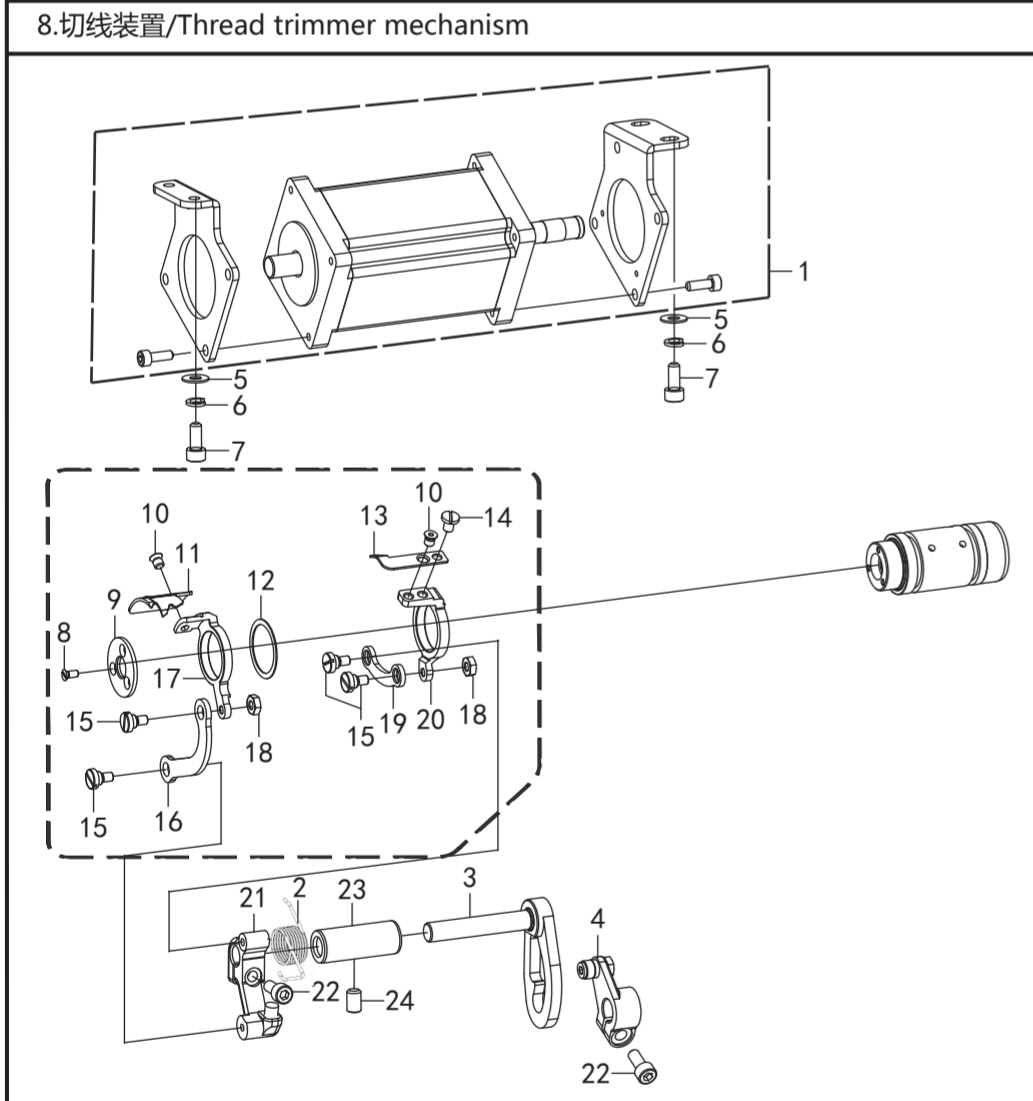
序号	图号	数量	零件名称	NAME OF PARTS
1	101041301	1	伞齿轮组件	BEVEL GEAR ASSY
2	014760832	3	螺钉 SM5.95	SCREW SM5.95
3	168050301	1	竖轴上轴套	VERTICAL SHAFT BUSH U
4	101041902	1	竖轴	VERTICAL SHAFT
5	168050501	1	竖轴下轴套	VERTICAL SHAFT BUSH D
6	115072204	1	旋梭定位钩	HOOK STOPPER
7	125042401	1	螺钉 SM4.37	SCREW PAN SM4.37
8	115072701	1	梭芯套组件	BOBBIN GASE ASSY
9	115072401	1	梭芯	BOBBIN
10	115072301	1	旋梭组件	ROTARY HOOK ASSY
11	115071401	1	油盖螺钉	OIL COVER SCREW
12	125043201	1	油芯	OIL CORE
13	115073401	2	油封	OIL SEAL
14	168051401	1	下轴前套	PUMP BUSH
15	115071601	1	油封	OIL SEAL
16	101042901	1	下轴	ROTARY HOOK SHAFT
17	014770532	2	螺钉 SM6.35	SCREW PAN SM6.35
18	115072001	1	紧圈	SET SCREW COLLAR
19	168051901	1	下轴后轴套	BUSHING THREAD FINGER
20	169111501	1	分线片	LOWER THREAD FINGER
21	101080701	1	螺钉 SM3.57	SCREW PAN SM3.57
22	115073601	1	小油毡	FELT
23	115073301	2	O型圈	O-RING



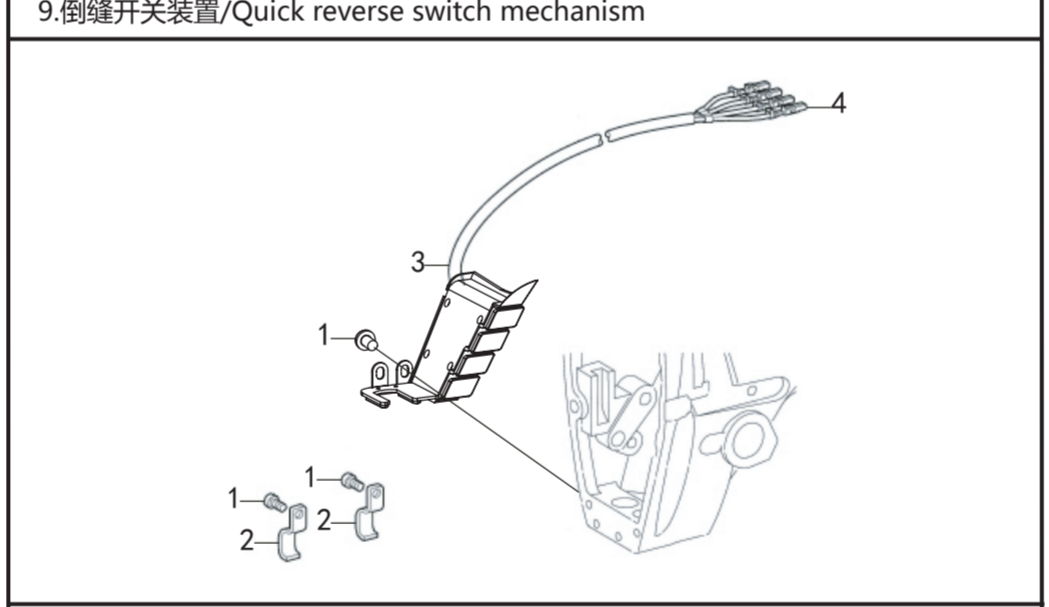
序号	图号	数量	零件名称	NAME OF PARTS
1	115031001	2	螺钉 SM3.57	SCREW PAN SM3.57
2	101090701	1	油线固定板	OIL THREAD BORAD ASM
3	101090901	1	油窗	OIL GAUGE WINDOW
4	101091001	1	O型圈	O RING
5	101090601	1	油毡夹	OIL FELT PRESSER
6	101090301	1	油毡	FELT
7	101091801	1	上轴供油管	MAIN SHAFT OIL TUBE
8	115024001	1	油封	OIL SEAL
9	168063401	1	油量视窗板	OIL GAGE WINDOW
10	101091601	1	油泵连接螺钉	OIL PUMP SUPPORT
11	168061401	1	油泵组件	PUMP UNIT
12	101074701	1	螺钉 SM5.95	SCREW PAN SM5.95
13	115072601	1	螺钉 SM4.37	SCREW PAN SM4.37
14	180085401	1	浮球组件	FLOAT
15	119062301	1	油盒密封圈	OIL BOX SEALING RING
16	062350616	7	螺钉 M3.5x6	SCREW PAN M3.5x6
17	119062401	1	油盒盖	THE OIL BOX COVER
18	119062101	1	油盒	OIL BOX
19	115080401	3	供油口	OIL FEEDING PIPE
20	115085501	4	油管夹	OIL PIPE CLAMP
21	168062401	2	油管 L	VINYL TUBE L
22	168062601	1	供油口	OIL FEEDING PIPE
23	081004870	1	O型圈 P4	O RING P4
24	115081501	1	调节螺钉	ADJUSTING SCREW
25	119062201	1	电线压板	WIRE PLATE
26	168063001	1	O型圈	O RING
27	115080901	1	放油螺钉 M8	SCREW PAN M8
28	018502032	8	螺钉 M5x20	SCREW PAN M5x20
29	168063501	1	油窗防油垫	OIL WINDOW CUSHION
30	115110401	2	螺钉 SM3.57x40-5	SCREW PAN SM3.57x40-5
31	125092201	1	铝管接头	ALUMINIUM PIPE JOINT
32	101091701	1	供油管接头	RUBBER JOINT
33	062500816	2	螺钉 M5x8	SCREW M5x8
34	119080101	1	油管支架	OIL PIPE BRACKET
35	115011001	1	橡皮塞 10.5	RUBBER STOPPER 10.5
36	025050132	6	垫圈 5	WASHER 5
37	5040202	1	尼龙油管 3.2(670mm)	NYLON TUBING 3.2(670MM)
38	101092201	2	油线	OIL LINE
39	125101802	1	供油嘴	FUEL NOZZLE



序号	图号	数量	零件名称	NAME OF PARTS
1	062400616	4	螺钉 M4x6	NEEDLE CLAMP SCREW PAN M4x6
2	168070201	1	电磁铁罩	SOLENOID COVER
3	166070301	1	松线电磁铁组件	ELEC TENSION RELEASE ASSY
4	062500816	2	螺钉 M5x8	SCREW PAN M5x8
5	168070802	1	电磁铁安装板	SOLENOID SETTING PLATE
6	168070901	1	松线轴	TENSION SHAFT
7	169122701	1	松线轴复位簧	TENSION RELEASE RETURN SPRING
8	180090201	1	面板线钩	FACE PLATE THREAD GUIDE
9	125022201	1	螺钉 M4x6	SCREW PAN M4x6
10	101010901	2	螺钉 SM4.76	SCREW PAN SM4.76
11	101010801	1	挑线杆防护罩	THREAD TAKE-UP LEVER COVER
12	101022201	1	螺钉 SM4.76	SCREW PAN SM4.76
13	115090301	1	穿线板	SPOOL PLATE
14	101022601	3	螺钉 M5x10	SCREW PAN M5x10
15	168072901	1	绕线器组件	BOBBIN WINDER ASM
16	101022801	2	螺钉 SM3.57	SCREW PAN SM3.57
17	101022701	1	切刀	KNIFE
18	168072301	1	绕线器夹线组件	BOBBIN THREAD TENSION ASM
19	168072201	1	调线夹线器组件	THREAD TENSION ASM
20	101020701	1	机壳线导向 R	FRAME THREAD GUIDE R
21	115090801	1	螺钉 M5x6	SCREW PAN M5x6
22+	168072501	1	夹线器组件 M	THREAD TENSION ASSY M
22+	168072601	1	夹线器组件 H	THREAD TENSION ASSY H
23	014760832	2	螺钉 SM5.95	SCREW PAN SM5.95
24	101020502	1	大线钩	P-BAR BRACKET THREAD GUIDE
25	166072501	1	电子夹线器	THREAD TAKE-UP

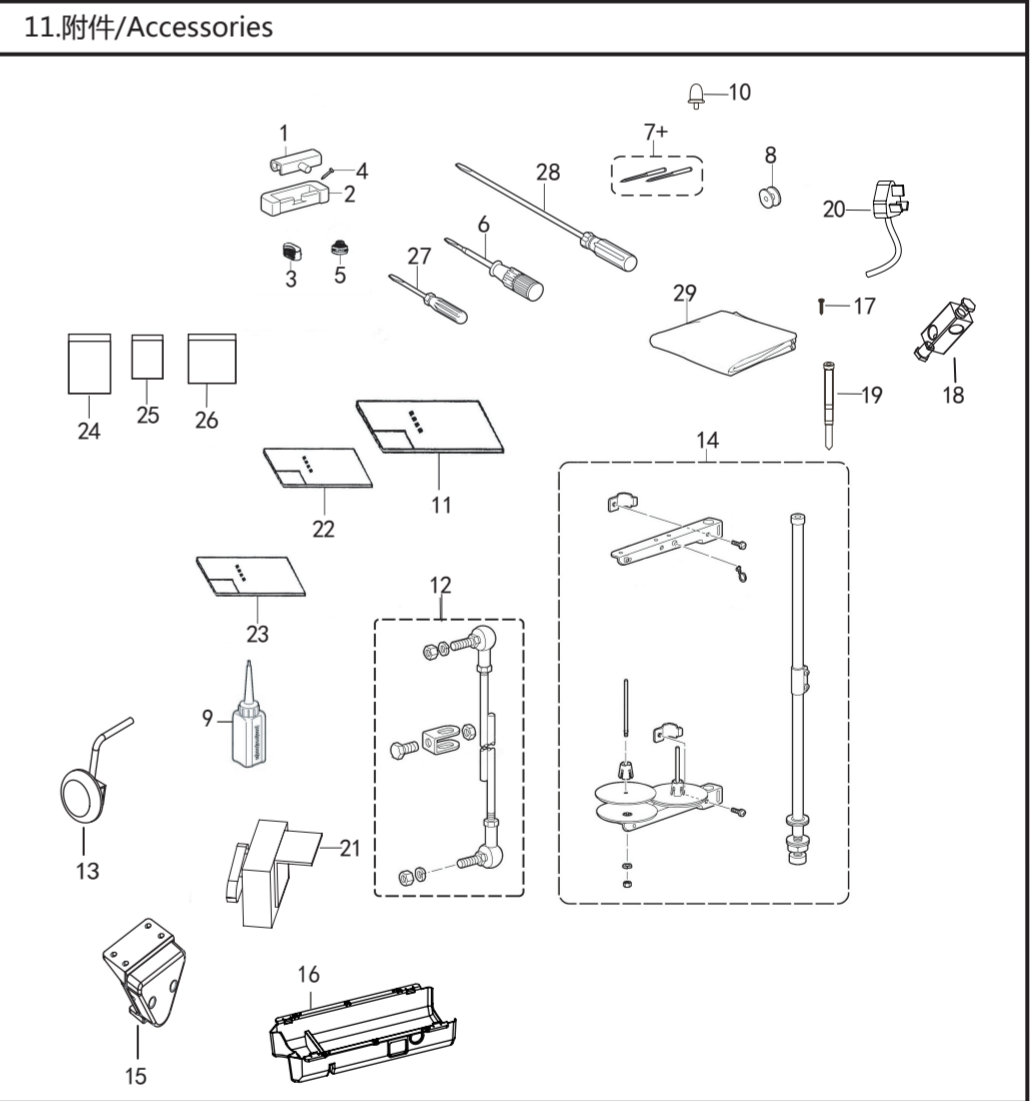


序号	图号	数量	零件名称	NAME OF PARTS
1	168080202	1	剪线电机	MOTOR
2	125082301	1	动刀复位簧	MOVABLE KNIFE RESET SPRING
3	168082001	1	切线手柄	THREAD TRIMMER LEVER
4	169110102	1	切线驱动曲柄	THREAD TRIMMER CAM LEVER SHAFT
5	025050132	4	垫圈 M5	WASHER M5
6	028050246	4	弹簧垫圈	SPRING WASHER
7	018501432	4	螺钉 M5x14	SCREW PAN M5x14
8	125080401	3	螺钉 M3x5	SCREW PAN M3x5
9	125082501	1	动刀压板	KNIFE HOLLDER PRESSER PLATE
10	115111301	3	螺钉 SM4.37	SCREW PAN SM4.37
11	125081501	1	下动刀	MOVABLE KNIFE D
12	125081801	1	垫圈	WASHER
13	125081401	1	上动刀	MOVABLE KNIFE U
14	125080501	1	螺钉 SM4.37	SCREW PAN SM4.37
15	125080601	4	螺钉 M4	SCREW PAN M4
16	125082001	1	刀架长连杆	KNIFE HOLLDER CONNECTING ROD L
17	125081701	1	下刀架	HOLER M-KNIFE D
18	021400306	2	螺母 M4	NUT M4
19	125081901	1	刀架短连杆	KNIFE HOLLDER CONNECTING ROD S
20	125081601	1	上刀架	HOLER M-KNIFE U
21	125082101	1	切线手柄	THREAD TRIMMER LEVER
22	018501432	2	螺钉 M5x14	SCREW M5x14
23	125082401	1	切刀轴套	FORKED SHAFT BUSH
24	014760832	1	螺钉 SM5.95	SCREW PAN SM5.95



序号	图号	数量	零件名称	NAME OF PARTS
1	062500816	4	螺钉 M5x8	SCREW PAN M5x8
2	115114801	2	电线夹 U2	CORD HOLDER U2
3	166090302	1	倒缝开关组件	R-SWICH ASSY
4	168090401	1	10P插头	10P PLUG

序号	图号	数量	零件名称	NAME OF PARTS
1	018502032	3	螺钉 M5x20	SCREW PAN M5x20
2	119100201	1	控制箱	CONTROL BOX ASSY
3	101020201	2	螺钉 SM4.37x40-6	SCREW PAN SM4.37x40-6
4	119041001	1	操作盒组件	OPERATION PANEL
5	168012501	2	螺钉 M3x8	SCREW PAN M3x8
6	062501016	2	螺钉 M5x10	SCREW PAN M5x10
7	025050132	2	平垫圈 5	WASHER 5



序号	图号	数量	零件名称	NAME OF PARTS
1	115150401	2	机头铰链	HEAD HINGE
2	101120501	2	机头铰链套	HEAD HINGE SLEEVE
3	125120601	2	头部防震垫	HEAD SHOCK PAD
4	5050111	4	钉	NAIL
5	125120801	2	头部防震垫	HEAD SHOCK PAD
6	115151701	1	螺丝刀(中)	SCREWDRIVER (MEDIUM)
7+	115024112	4	机针 DBx114	NEEDLE DBx114
7+	115072401	10	机针 DPx520	NEEDLE DPx520
8	115151001	3	梭芯	BOBBIN
9	115024113	1	中号油壶	MEDIUM OIL CAN
10	168111401	1	机头撑杆	HEAD SUPPORT
11	6050277	1	零件手册	PARTS MANUAL
12	115151901	1	连杆组件	CONNECTING ROD ASSEMBLY
13	125104001	1	膝控组件	KNEE CONTROL COMPONENTS
14	115151401	1	线架组件 ZDR	WIRE RACK ASSEMBLY 2DR
15	169050101	1	电子膝靠组件	ELECTRONIC KNEE REST
16	169202001	1	油盘	OIL PAN
17	152208101	12	木螺钉 ST4.2x25	WOOD SCREW ST4.2x25
18	125104101	1	膝控接头	KNEE JOINT
19	5040104	3	扎带	TIE
20	125122801	1	电源线	POWER CABLE
21	115152001	1	调速器	GOVERNOR
22	115151503	1	电控说明书	ELECTRIC CONTROL MANUAL
23	6050101	1	使用说明书	USER'S GUIDE
24	115160601	1	自封袋	ZIPLOCK BAG
25	115160701	1	自封袋	ZIPLOCK BAG
26	115160801	1	自封袋	ZIPLOCK BAG
27	115151601	1	螺丝刀(小)	SCREWDRIVER (SMALL)
28	115151801	1	螺丝刀(大)	SCREWDRIVER (LARGE)
29	6040101	1	机头罩	HOOD